

TOREX

M-D Pneumatics® has long been known for providing quality products to the bulk hauling industry, and is proud to now offer the TOREX hydraulic oil cooler. The TOREX hydraulic oil cooler is a pre-engineered, affordable, and highly efficient hydraulic oil cooling package. TOREX offers all the benefits below, and more:

ENHANCED FEATURES

- **Weight Savings:** A filled TOREX weighs 104 lbs, while a 50 gallon reservoir weighs roughly 625 lbs. This is over 80% in weight reduction.
- **Space Savings*:** The TOREX takes up roughly half the space of a comparable 50 gallon reservoir. (*5,600in³ vs. 11,550in³)
- **Environmental Impact:** The TOREX greatly reduces environmental impact in the event of an oil spill, since only 4 gallons of oil is held in the reservoir.
- **Cooling Capacity:** The TOREX can remove heat 6x faster than a comparable steel reservoir.



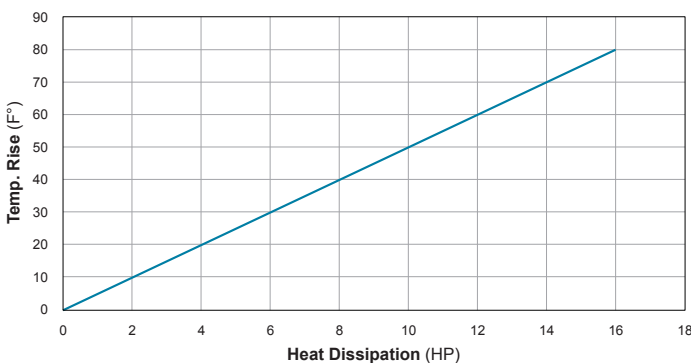
Specifications

Pressure (up to)	Reservoir Size	Flow Rate (up to)	Dry Weight	Filled Weight
PSIG / bar	gallons / liters	GPM / L/Min	lbs / kg	lbs / kg
3,000** / 207	4 / 15	35 / 132	75 / 34	104 / 47

** Actual performance may vary based on system design, environment, and maintenance.

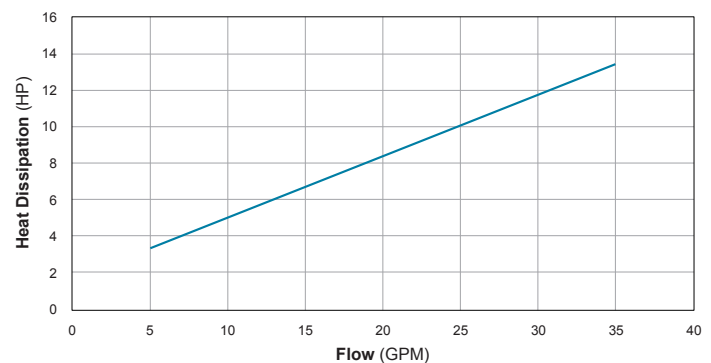
TOREX Performance Curves

Temp. Rise vs Heat Dissipation



NOTE: Curve based on the following data: 20 GPM and 105 F°, ISO Ambient, 32 Oil

Heat Dissipation vs Flow



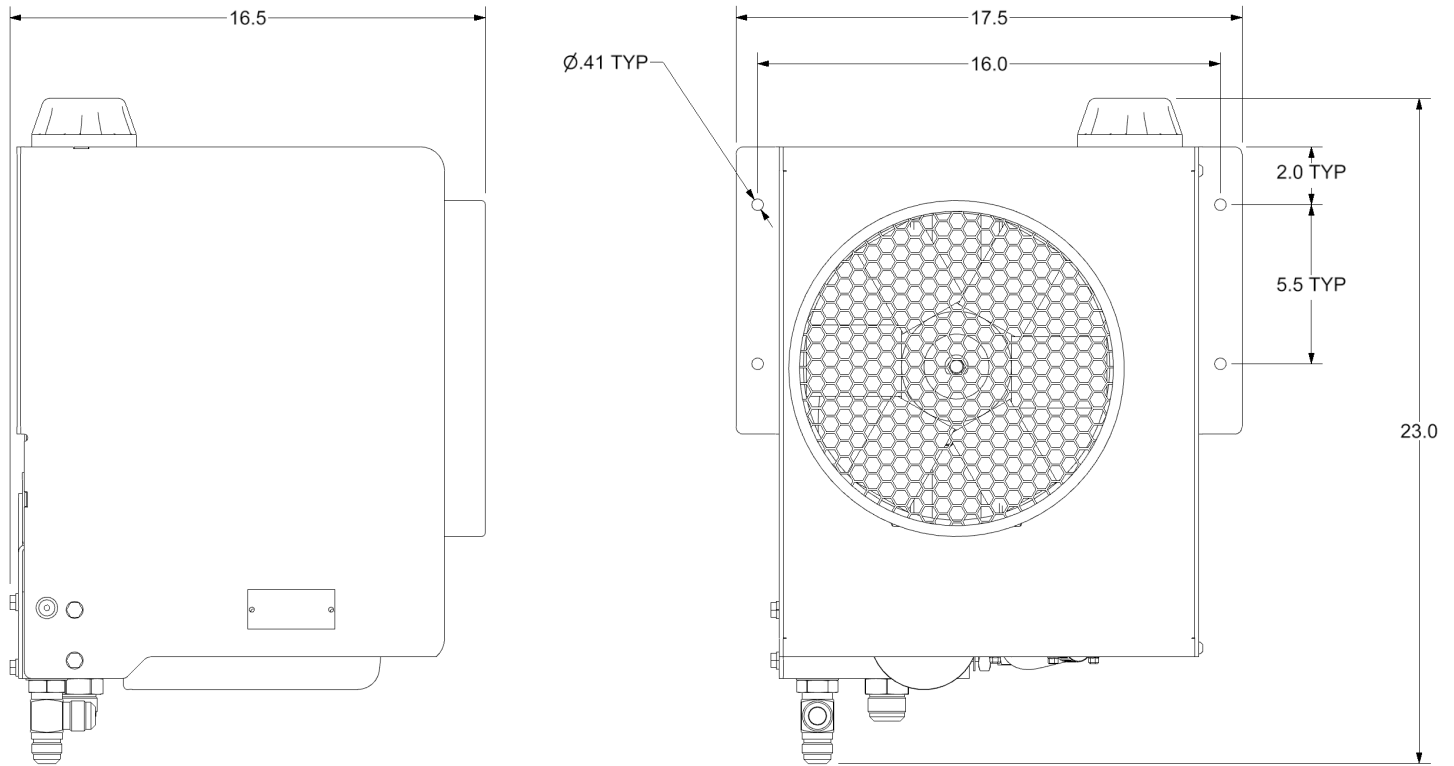
NOTE: Curve based on the following data: Ambient 105 F°, Oil Temp. Rise 45 F°, 32 Oil

Dimensions

Values shown are approximate and should not be used for construction.
Certified drawings are available through your local Kinney Sales Professional.

TOREX Hydraulic Oil Cooler

NOTE: TOREX dimension drawings is measured in inches.



CONTACT US

For more information, contact your
Regional Sales Manager or call us at:

1-800-825-6937

Your Local Sales Professional: