

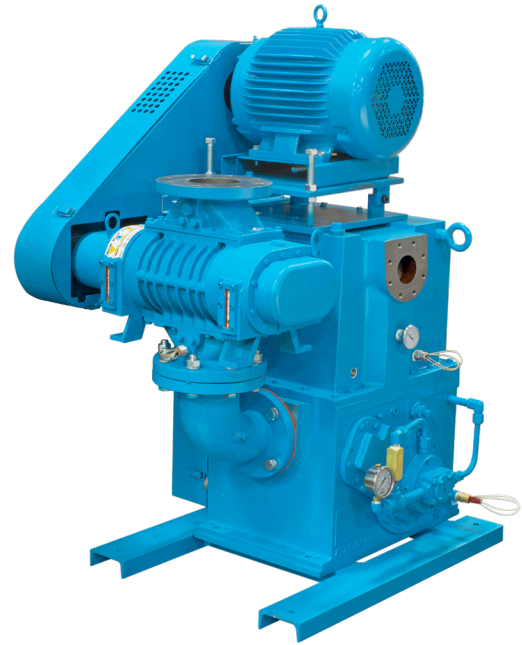
## Close-Coupled Booster Vacuum Pump Systems

### Models

CC4015 CC5430 CC8530 CC1650 CC1685

### Features

- Very fast pumpdown for short cycles
- High pumping speed over a wide pressure range
- Single motor and control operates both pumps
- Both pumps start at atmosphere - no pressure switch or bypass manifold required
- Low ultimate pressure capability of 0.2 micron
- Very low vibration characteristics
- Compact, simple assembly with minimum floor area required
- Optional internal mechanical shaft seals for booster, for applications where seconds count in cycle and pumpdown time

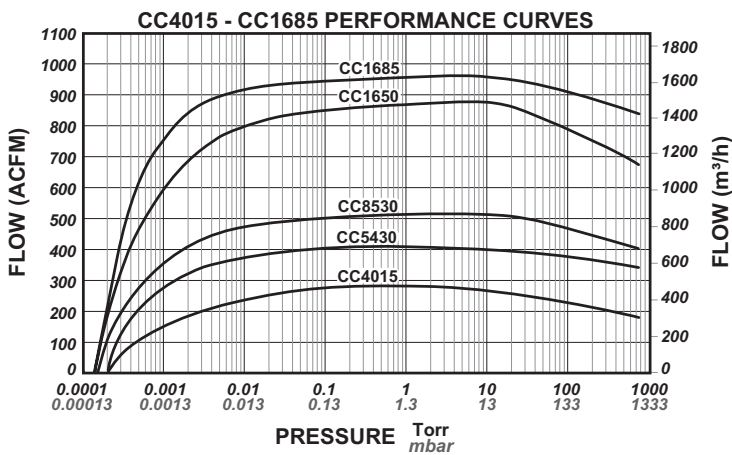


### Specifications

SYSTEM MODEL	MAX. CONT. OPERATING PRESSURE* Torr / mbar	MOTOR HP / kW	BLOWER MODEL	BLOWER DISPLACEMENT ACFM / m <sup>3</sup> /h	OIL REQ'D, BLOWER QTS / Liters	COOLING WATER REQ'D @ 60°F GPM / L/min	PUMP MODEL	PUMP DISPLACEMENT ACFM / m <sup>3</sup> /h	OIL REQ'D, BACKING PUMP Gal / Liters
CC4015	60 / 80	10 / 8	MB400	300 / 510	2 / 1.9	2 / 8	KT150	150 / 255	6 / 23
CC5430	105 / 140	15 / 11	MB540	400 / 680	2 / 1.9	2 / 8	KT300	300 / 510	10 / 38
CC8530	10 / 13.3	25 / 19	MB850	625 / 1062	4 / 3.8	4 / 16	KT300	300 / 510	10 / 38
CC1650	50 / 67	40 / 30	MB1600	900 / 1529	4 / 3.8	2.5 / 10	KT500	500 / 850	15 / 57
CC1685	100 / 133	50 / 37	MB1600	1200 / 2039	4 / 3.8	3.5 / 13	KT850	780 / 1325	28 / 106

\* CC pumps are designed for continuous operation below tabulated data or for evacuation of inlet system volume which limits pump-down time to approximately 30 minutes. Please review these parameters when sizing the CC series pump.

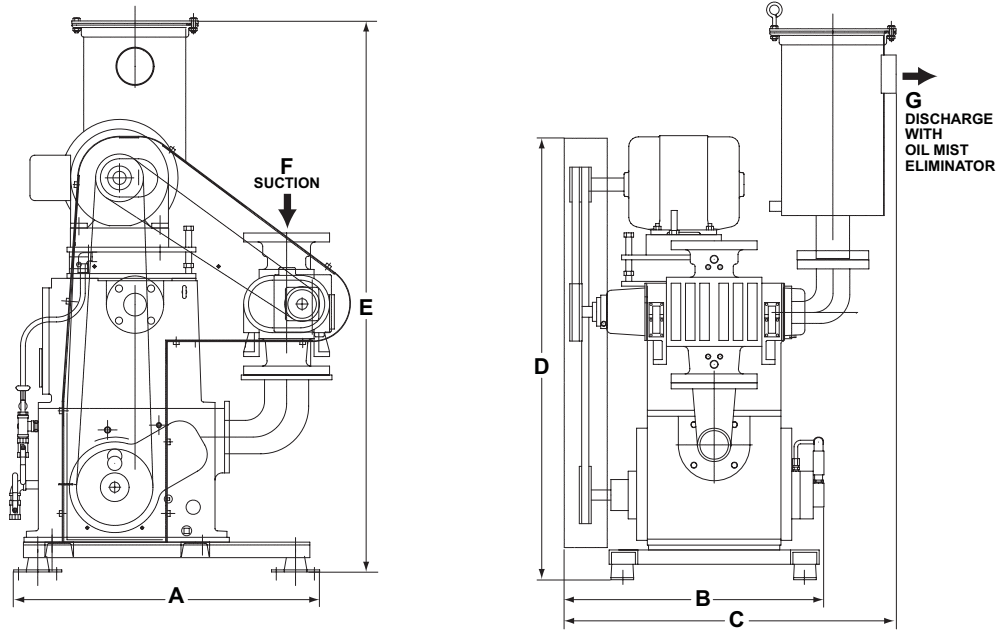
### Typical Pumping Speed Curves



## Dimensions

Values shown are approximate and should not be used for construction.  
 Certified drawings are available through your local Kinney Sales Professional.

## Models CC4015, CC5430, CC8530, CC1650, CC1685



in / mm	A	B	C	D	E	F	G	WEIGHT Lbs / kg
<b>CC4015</b>	32 813	27 686	35 889	47 1194	58 1473	4" FLG	3" NPT	1050 476
<b>CC5430</b>	39 991	35 889	56 1422	57 1448	65 1651	4" FLG	3" NPT	1700 771
<b>CC8530</b>	40 1016	34 864	56 1422	53 1346	64 1626	6" FLG	3" NPT	2050 930
<b>CC1650</b>	52 1321	41 1041	65 1651	75 1905	80 2032	6" FLG	4" FLG	3750 1701
<b>CC1685</b>	54 1372	49 1245	67 1702	77 1956	91 2311	6" FLG	5" FLG	5400 2450

### Standard Configuration

- Kinney® KT™ Pump
- Dual Voltage 3/60/230-460V TEFC Motors
- Overtemperature Switch
- Oil mist eliminator
- Steel Base with VibraMounts

### Options

- Flexible connectors
- Automatic water control valve to minimize coolant flow
- Oil line filter for backing pump
- Self-contained oil reclamation system
- Special motor and electricals

### CONTACT US

For more information, contact your  
 Regional Sales Manager or call us at:

**1-800-825-6937**

Your Local Sales Professional:

