

Compact Booster Vacuum Pump Systems

Models

CB7215 CB7230 CB7250

Kinney® Compact Booster Systems combine the features of Kinney KT™ Pumps and Integral Drive Boosters into a space efficient package capable of continuous high pumping capacity down to 10 microns. They are suitable for use in vacuum furnace, vacuum coating, sputtering, space simulation, and other applications.

Features

- High pumping capacity
- Compact envelope
- Quiet, vibration-free
- Water-cooled for low operating temperature
- Tough, durable pumps



Specifications

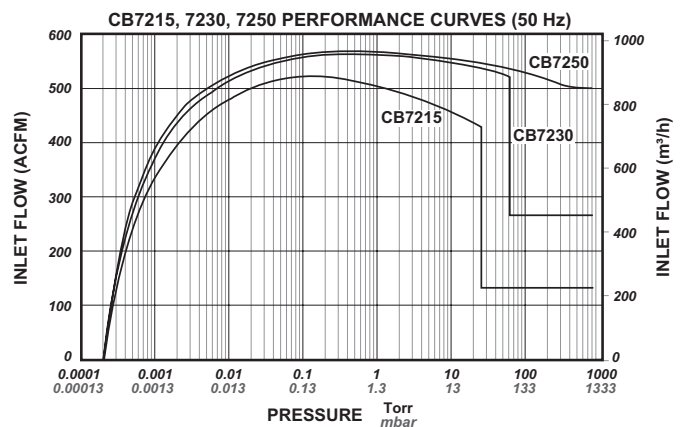
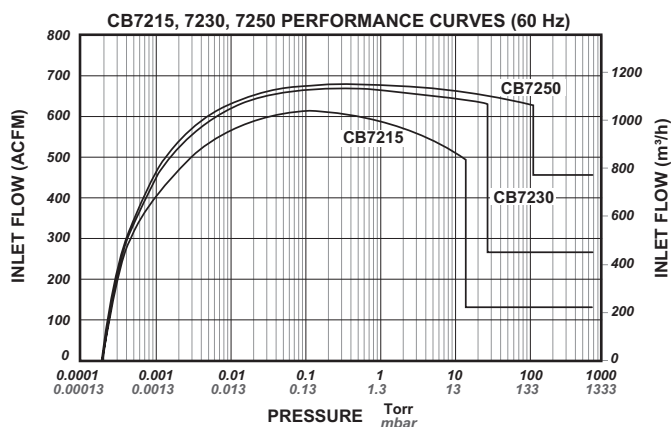
SYSTEM MODEL	Hz	CIP ¹ (TORR)	MAXIMUM COP ² (TORR)	BOOSTER MODEL	DISPLACEMENT CFM / m ³ /h	HP/kW	PUMP MODEL	DISPLACEMENT CFM / m ³ /h	HP/kW
CB7215	60	15	15	KMBD-720C	720 / 1220	5 / 3.7	KT-150	150 / 250	7.5 / 5.6
	50	20	20						
CB7230	60	30	30	KMBD-720C	720 / 1220	5 / 3.7	KT-300	300 / 500	15 / 11
	50	60	60						
CB7250	60	100	*	KMBD-720C	720 / 1220	5 / 3.7	KT-500	500 / 850	30 / 22
	50	760	760						

¹ CIP = Cut-in Pressure

² COP = Continuous Operating Pressure

*Limited by motor HP

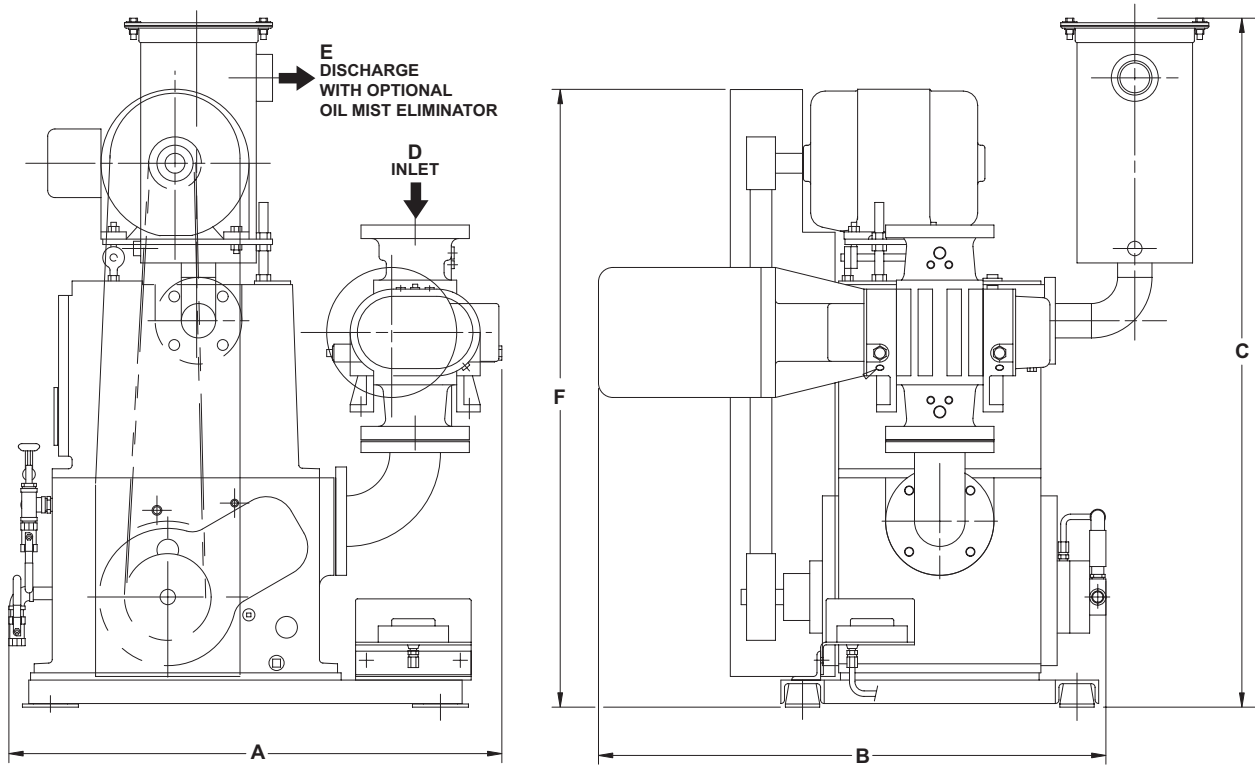
Typical Pumping Speed Curves



Dimensions

Values shown are approximate and should not be used for construction.
 Certified drawings are available through your local Kinney Sales Professional.

Models CB7215, CB7230, CB7250



MODEL	A	B	C	D INLET	E DISCHARGE	F	G
CB7215	36 / 914	45 / 1143	52 / 1321	4" FLG	2" NPT	44 / 1118	51 / 1295
CB7230	42 / 1067	48 / 1219	58 / 1473	4" FLG	3" NPT	58 / 1473	57 / 1448
CB7250	55 / 1397	47 / 1194	72 / 1829	4" FLG	4" FLG	62 / 1575	60 / 1524

Standard Configuration

- Integral Drive Booster
- Kinney® KT™ Pump
- Dual Voltage 3/60/230-460V TEFC Motors
- Pressure Switch
- Overtemperature Switch
- Steel Base with VibraMounts

Options

- Oil Mist Eliminator
- Suction Flexible Connector
- Cooling Water Solenoid Valve
- Motor Controls
- Air Cooling Systems

CONTACT US

For more information, contact your
 Regional Sales Manager or call us at:

1-800-825-6937

Your Local Sales Professional:

