

Compact Booster Vacuum Pump Systems

Models

CB1630 CB1650 CB1685 CB2085

Kinney® Compact Booster Systems combine the features of Kinney KT™ Pumps and Integral Drive Boosters into a space efficient package capable of continuous high pumping capacity down to 10 microns. They are suitable for use in vacuum furnace, vacuum coating, sputtering, space simulation, and other applications.

Features

- High pumping capacity
- Compact envelope
- Quiet, vibration-free
- Water-cooled for low operating temperature
- Tough, durable pumps



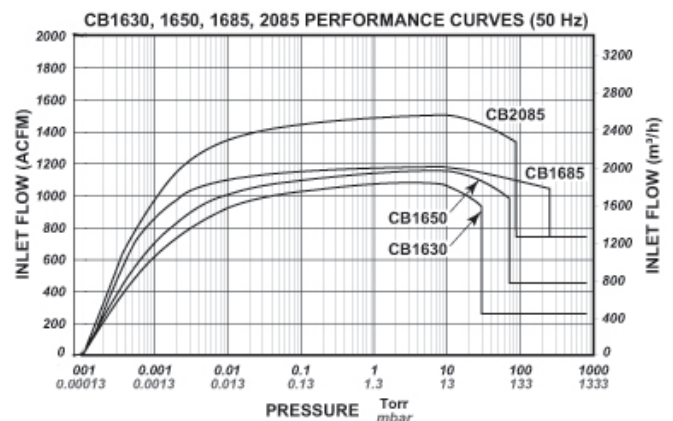
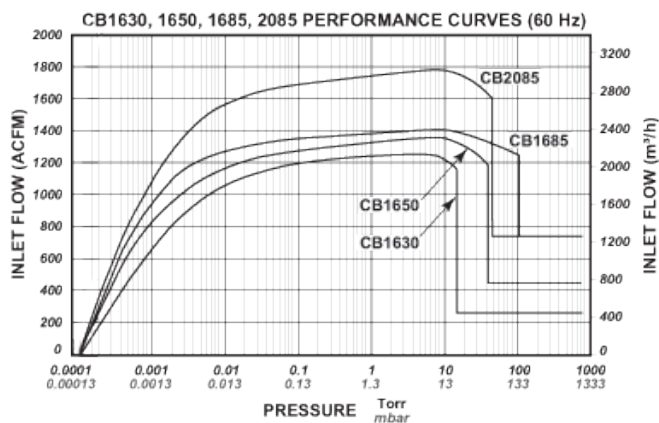
Specifications

SYSTEM MODEL	Hz	CIP ¹ (TORR)	MAXIMUM COP ² (TORR)	BOOSTER MODEL	DISPLACEMENT CFM / m ³ /h	HP/kW	PUMP MODEL	DISPLACEMENT CFM / m ³ /h	HP/kW
CB1630	60	15	4	KMBD-1600C	1600 / 2700	10 / 7.5	KT-300	300 / 500	15 / 11
	50	30	6						
CB1650	60	40	20	KMBD-1600C	1600 / 2700	15 / 11	KT-500	500 / 850	30 / 22
	50	70	66						
CB1685	60	105	105	KMBD-1600C	1600 / 2700	15 / 11	KT-850	780 / 1330	40 / 30
	50	240	240						
CB2085	60	45	45	KMBD-2000C	2000 / 3400	15 / 11	KT-850	780 / 1330	40 / 30
	50	85	85						

¹ CIP = Cut-in Pressure

² COP = Continuous Operating Pressure

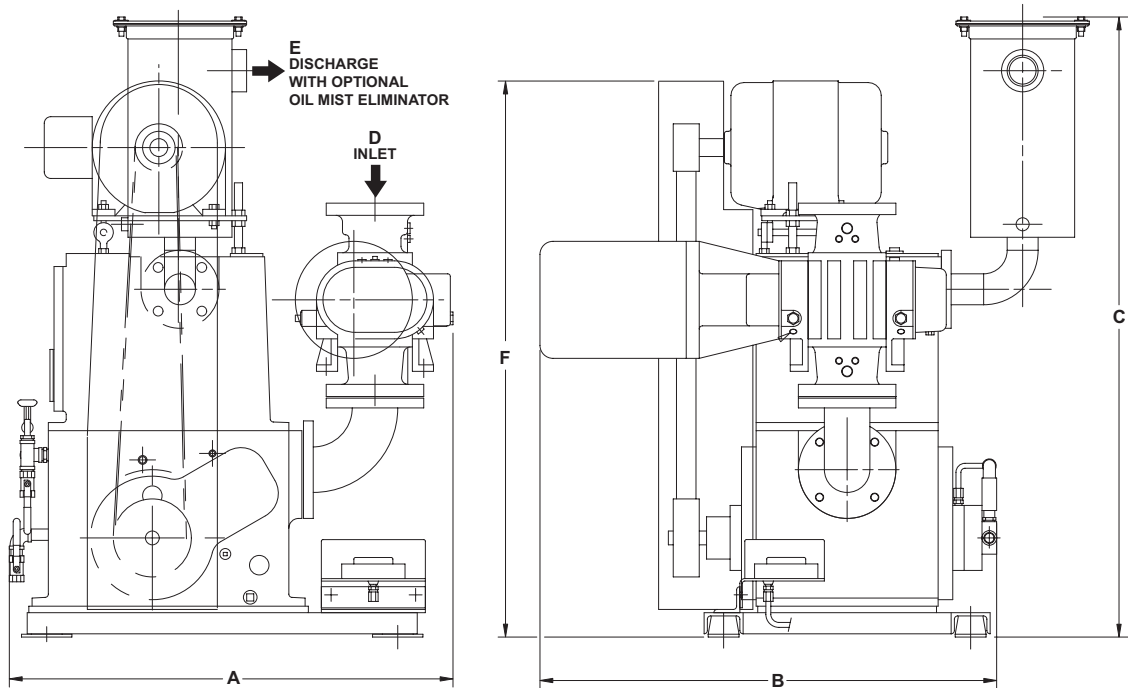
Typical Pumping Speed Curves



Dimensions

Values shown are approximate and should not be used for construction.
Certified drawings are available through your local Kinney Sales Professional.

Models CB1630, CB1650, CB1685, CB2085



MODEL	A	B	C	D INLET	E DISCHARGE	F	G
CB1630	44 / 1118	50 / 1270	58 / 1473	6" FLG	3" NPT	55 / 1397	59 / 1499
CB1650	54 / 1372	53 / 1346	72 / 1829	6" FLG	4" FLG	65 / 1651	68 / 1727
CB1685	57 / 1448	58 / 1473	86 / 2184	6" FLG	5" FLG	75 / 1905	75 / 1905
CB2085	57 / 1448	78 / 1981	86 / 2184	8" FLG	5" FLG	75 / 1905	80 / 2032

Standard Configuration

- Integral Drive Booster
- Kinney® KT™ Pump
- Dual Voltage 3/60/230-460V TEFC Motors
- Pressure Switch
- Overtemperature Switch
- Steel Base with VibraMounts

Options

- Oil Mist Eliminator
- Suction Flexible Connector
- Cooling Water Solenoid Valve
- Motor Controls
- Air Cooling Systems

CONTACT US

For more information, contact your
Regional Sales Manager or call us at:

1-800-825-6937

Your Local Sales Professional:

